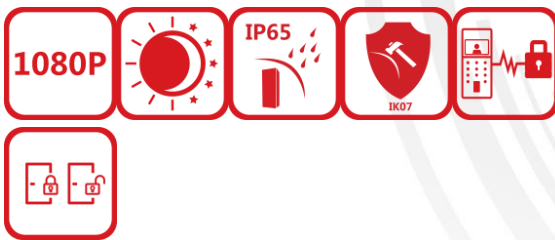
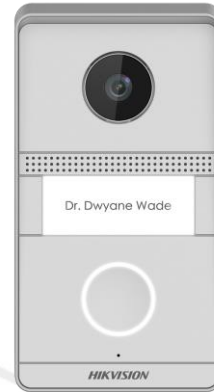


## DS-KV1101-ME2/Surface Video Intercom Two-Wire Analog Door Station



The Hikvision 2-wire villa door station, with simple appearance and great texture, supports starting video intercom and providing door permission by one-touch button, which is easy to use. The door station can also power up to 2 door locks directly, which is safe and easy for installation and deployment. It is suitable for the scenarios of villa, detached house, etc.

- Surface mounting 2-wire plug & play analog door station for villa
- 2 MP HD colorful camera, view in color, even in darkness
- One nametag button calling Design For easier calls
- IP65 & IK07 high protection level
- 2 lock relays, power supply for one electric lock (up to 12 V 1 A)

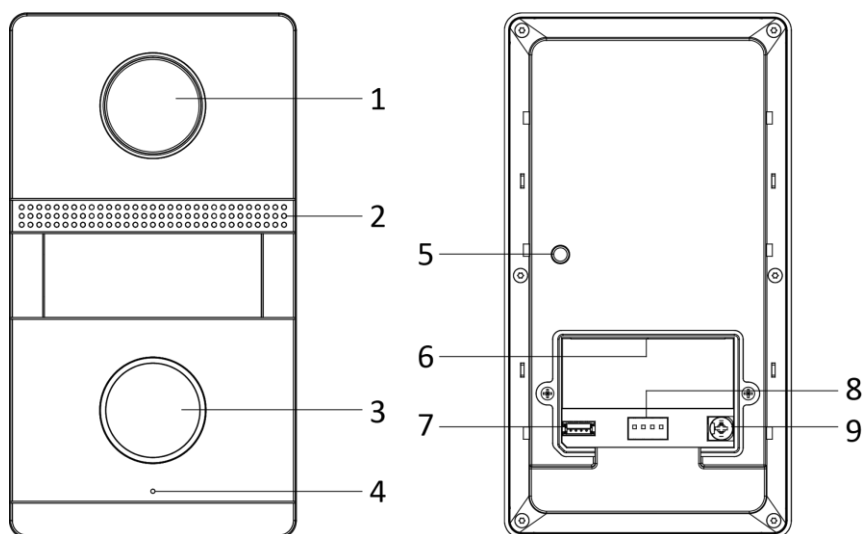
## ▪ Specification

System parameters	
Operation system	Embedded Analog operation system
ROM	/
RAM	/
Processor	/
Display parameters	
Screen size	/
Operation method	/
Type	/
Resolution	/
Video parameters	
Lens	Low Illumination 2 MP HD IR Camera
Resolution	Main stream : 1920 × 1080 Sub stream : 720 × 480
FOV	Horizontal: 100°, Vertical: 69°
Wide dynamic range (WDR)	Support
Supplement light	White light supplement
Video compression standard	/
Audio parameters	
Audio input	Built-in omnidirectional microphone
Audio compression standard	/
Audio output	Built-in loudspeaker (More than 85 dB within 20 cm)
Audio compression bitrate	/
Audio quality	/
Volume adjustment	Adjustable with screwdriver
Capacity	
User capacity	/
Face capacity	/
Fingerprint capacity	/
Message capacity	/
Linked indoor station capacity	/
Network parameters	
Network protocol	/
Wi-Fi	/
Bluetooth	/
3G/4G	/
Device interfaces	
Alarm input	4
Network interface	/
TAMPER	1
Exit button	2
RS-485	/
USB	/
Wiegand	/

TF card	/
Alarm output	/
Lock control	2 relays, Max. to 30 VDC, 2 A
Door contact input	2
DIP switch	4
<b>General</b>	
Button	1
Installation	Surface mounting with protective shield
Indicator	/
Weight	With package: 498.3 g Without package: 345.2 g
Protective level	IP65, IK7
Working temperature	-30 °C to 60 °C (-22 °F to 140 °F)
Working humidity	10% to 90%
Dimension (W × H × D)	150 mm × 82 mm × 23.5 mm (5.91" × 3.23" × 0.93")
Battery	/
Power supply	48 VDC, 0.5 A
Application environment	Outdoor
Power consumption	≤ 12 W

▪ **Physical Interface**

No.	Description	No.	Description
1	Camera	6	Terminals
2	Loudspeaker	7	Debugging Port
3	Call Button	8	DIP Switch
4	Microphone	9	Volume Adjust
5	TAMPER		

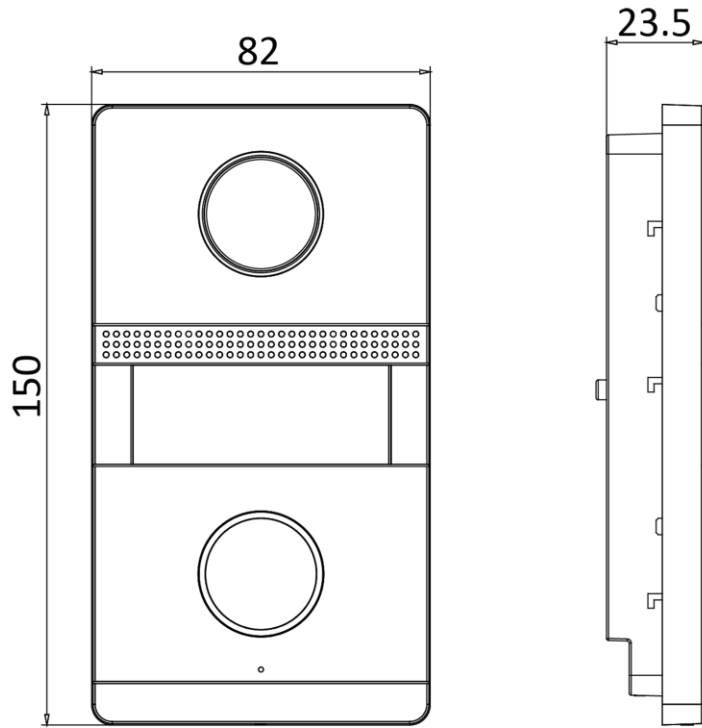


▪ **Available Model**

DS-KV1101-ME2/Surface

DS-KV1101-ME2/Surface/KIS101

▪ **Dimension**



Unit:mm

**Headquarters**

No.555 Qianmo Road, Binjiang District,  
Hangzhou 310051, China  
T +86-571-8807-5998  
www.hikvision.com



Follow us on social media to get the latest product and solution information.

